



Reiterkaserne, Stuttgart

GEZE TS 3000 V / System TS 5000

Overhead door closer with guide rail



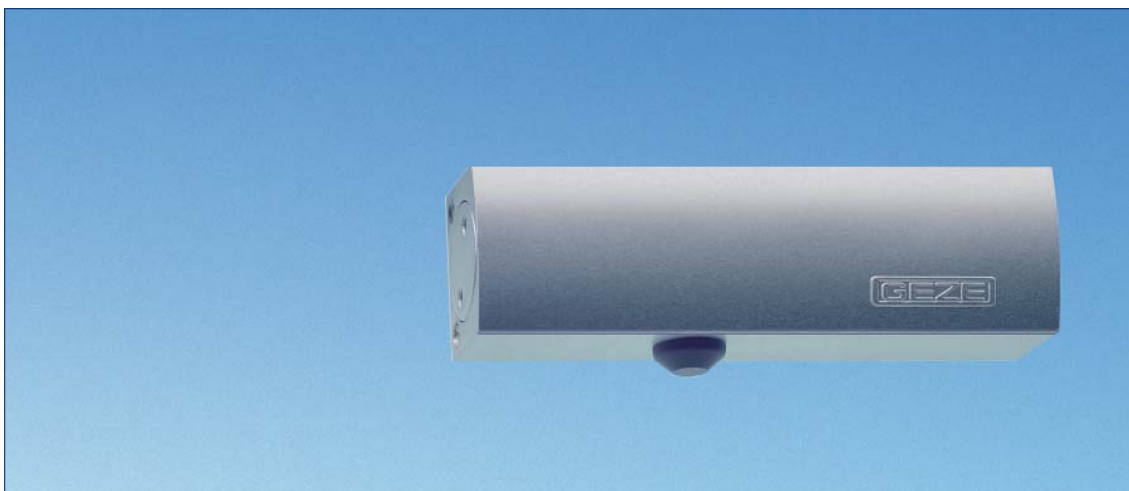
GEZE door closer – Clear lines



GEZE TS 5000

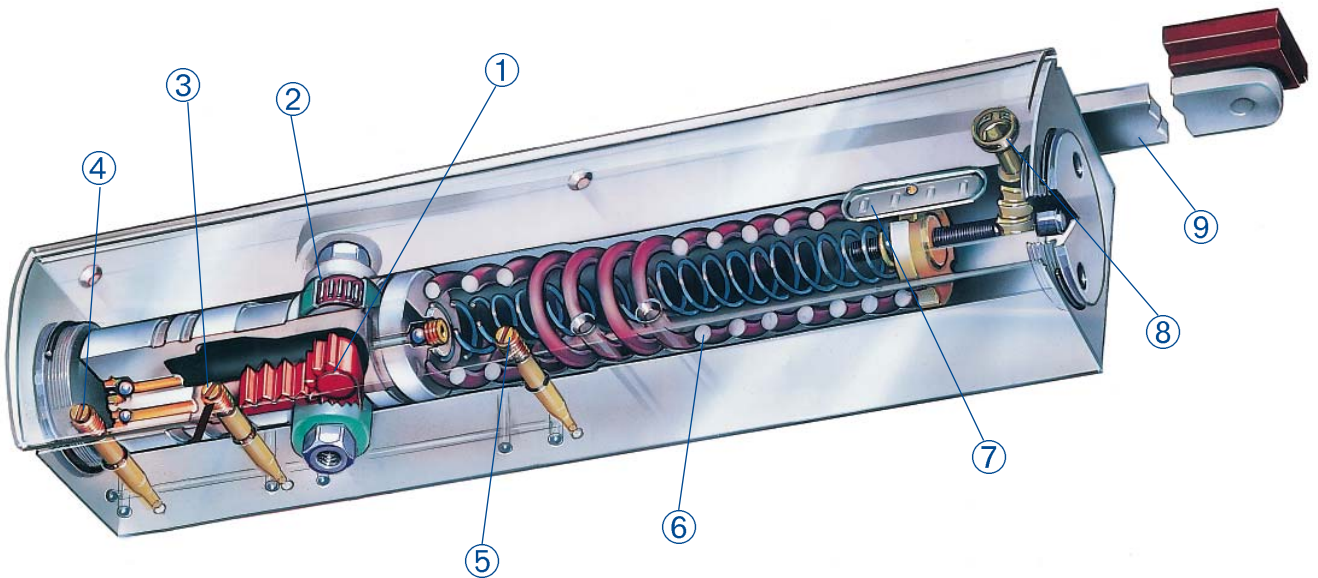


GEZE TS 3000 V



GEZE TS 1500

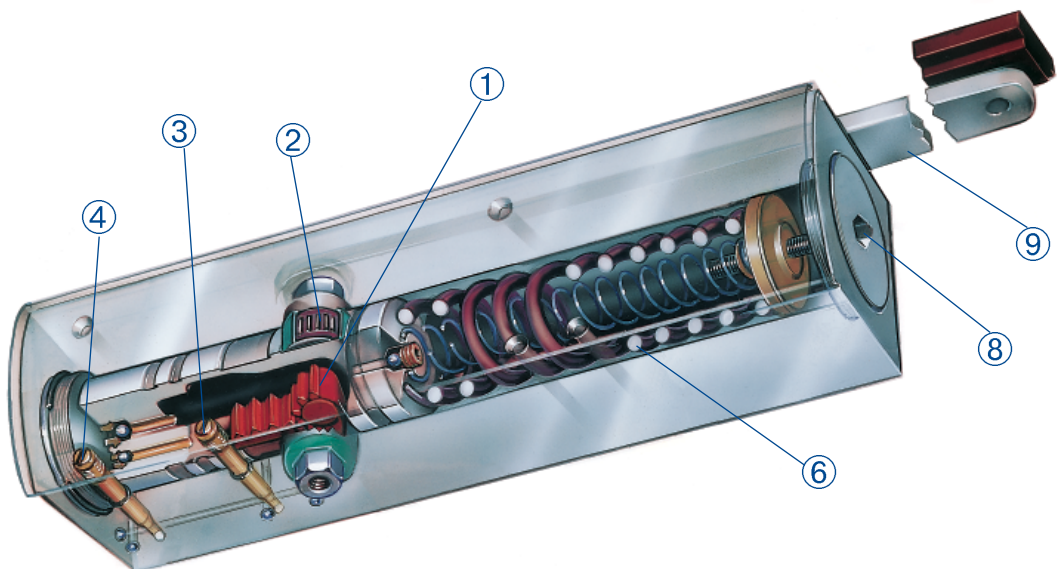
Technology – GEZE Overhead door closer TS 5000



Legend:

- ① Rack and pinion gear with integrated transmission
- ② Needle bearing
- ③ Closing speed adjuster
- ④ Latching action adjuster
- ⑤ Back check adjuster
- ⑥ Springs
- ⑦ Closing force indicator
- ⑧ Closing force adjuster
- ⑨ Lever

Technology – GEZE Overhead door closer TS 3000 V



Overview

	For single-leaf doors						
	TS 3000 V	TS 5000	TS 5000 S	TS 5000 L	TS 5000 E	TS 5000 R	TS 5000 L-E
Permitted for use with smoke and fire doors	F	F	F	F	F	F	F
Max. door leaf width (mm)	1100	1400	1400	1400	1400	1400	1400
Mounting options:							
Mounting hinge side / door mount	■	■	■		■	■	
Mounting hinge side / frame mount	■						
Mounting opposite hinge side / door mount	■			■			■
Mounting opposite hinge side / frame mount	■	■					
Functions:							
Adjustable closing force	■	■	■	■	■	■	■
Adjustable latching action	■ ¹⁾	■	■	■	■	■	■
Adjustable back check	■	■	■	■	■	■	■
Adjustable delayed closing action			■				
Adjustable closing speed	■	■	■	■	■	■	■
Mechanical hold-open ²⁾							
Electromechanical hold-open					■	■	■
Electro-hydraulic hold-open							
Smoke switch control unit						■	
Integrated mechanical closing sequence control							
Freeswing function							
Page	8	15	15	21	28	37	33

¹⁾ Model TS 3000 VBC

²⁾ Expandable, not for the use with smoke and fire doors

³⁾ Special version

⁴⁾ System solution consisting of 2 pcs overhead door closer TS 5000 (L) respectively TS 3000 V and suitable ISM-, E-ISM respectively R-ISM guide rail for mounting on hinge and/or opposite hinge side (version BG)

			For double-leaf doors ⁴⁾					
TS 5000 L-R	TS 5000 EFS	TS 5000 RFS	TS 5000 ISM	TS 5000 E-ISM	TS 5000 R-ISM	TS 5000 L-ISM	TS 5000 L-E-ISM	TS 5000 L-R-ISM
F	F	F	F	F	F	F	F	F
1400	1250	1250	1400	1400	1400	1400	1400	1400
	■	■	■	■	■			
	■ ³⁾	■ ³⁾						
■						■	■	■
■	■	■	■	■	■	■	■	■
■			■	■	■	■	■	■
■	■	■	■	■	■	■	■	■
■	■	■	■	■	■	■	■	■
■			■			■		
■	■	■		■	■		■	■
■		■			■			■
	■		■	■	■	■	■	■
	■	■						
43	48	52	56	65	81	61	76	93

GEZE TS 5000 L-ISM

Overhead closer system for double-leaf doors,
with integrated mechanical closing sequence control,
standard mounting on opposite hinge side / door mount

Product features

- System GEZE TS 5000 L-ISM solution comprising:
 - two overhead door closer TS 5000 L with adjustable closing force size 2-6 EN 1154
 - combined with ISM-guide rail BG with integrated mechanical closing sequence control certified according to EN 1158
 - for mounting on opposite hinge side

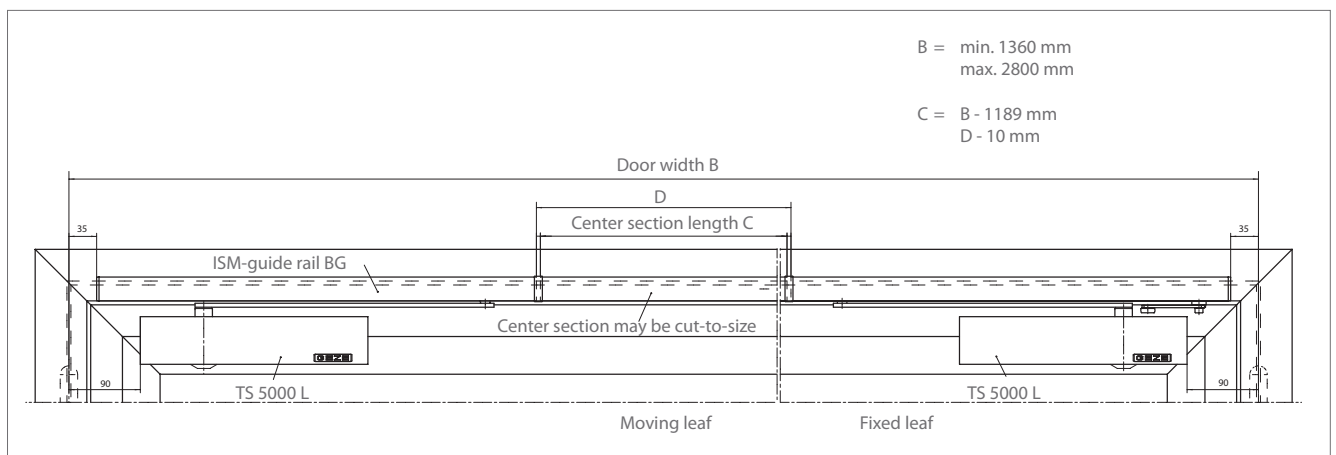


Fig. 61-1

Specification text

GEZE Overhead door closer system TS 5000 L-ISM to be mounted to smoke and fire doors, size 2-6 in accordance to EN 1158, with continuous guide rail BG, with integrated mechanical closing sequence control, closing force adjustable from front, as well as closing speed and latching action, with visual size indicator, mounting on opposite hinge side / door mount, with mounting plate.

Colour:

- () silver
- () dark bronze
- () white
- () RAL ...

Applications

- ▶ For double-leaf doors, leaf width max. 1400 mm
- ▶ Smallest door width hinge clearance "b" = 1360 mm
Largest door width hinge clearance "b" = 2800 mm
- ▶ Also suitable for leaves of different widths, minimum width of fixed leaf = 380 mm
- ▶ For smoke and fire doors
(country-specific regulations are to be considered)
- ▶ Can be used for right and left hand doors without adjustment

Standard version/package

System GEZE TS 5000 L-ISM comprising:

2 pcs. TS 5000 L door closer complete with mounting material and fitting template (mounting plate not included)
still needed: continuous ISM-guide BG rail with two levers and integrated mechanical closing sequence control



LBBW Landesbank Baden-Württemberg, Stuttgart

Mounting on opposite hinge side / door mount with ISM-guide rail BG

Mounting with mounting plate

Example showing the mounting of system GEZE TS 5000 L-ISM on a fire door, see Fig. 61-1 and Fig. 63-1

Mounting plate, 5 mm thick, hole pattern according to DIN EN 1154 supplement 1, see Fig. 63-2

Mounting dimensions

right hand door = moving leaf
left hand door = fixed leaf,
see Fig. 63-3

left hand door = moving leaf
right hand door = fixed leaf,
see Fig. 63-4

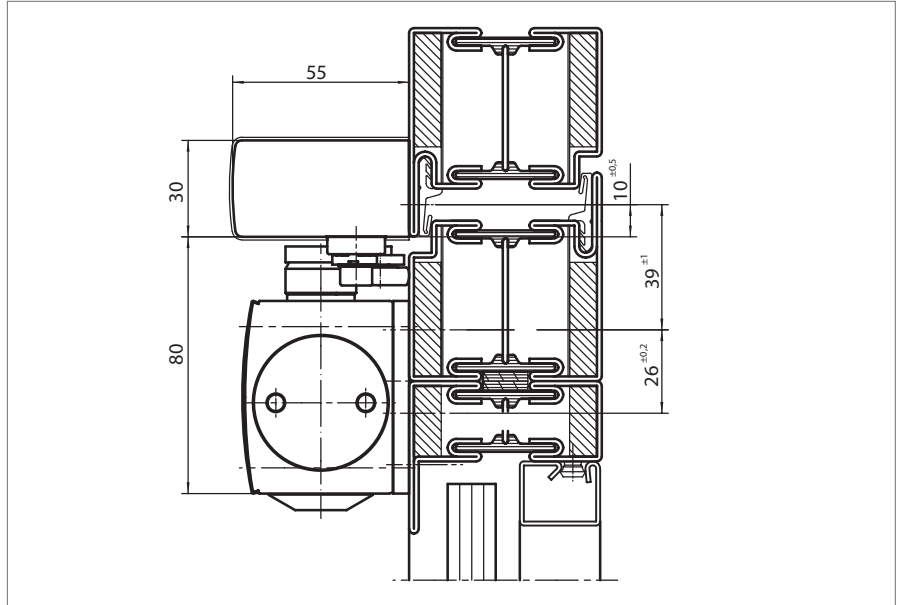


Fig. 63-1

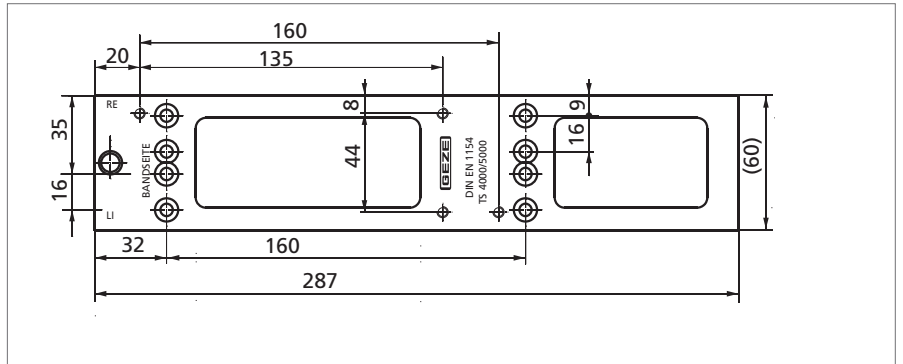


Fig. 63-2

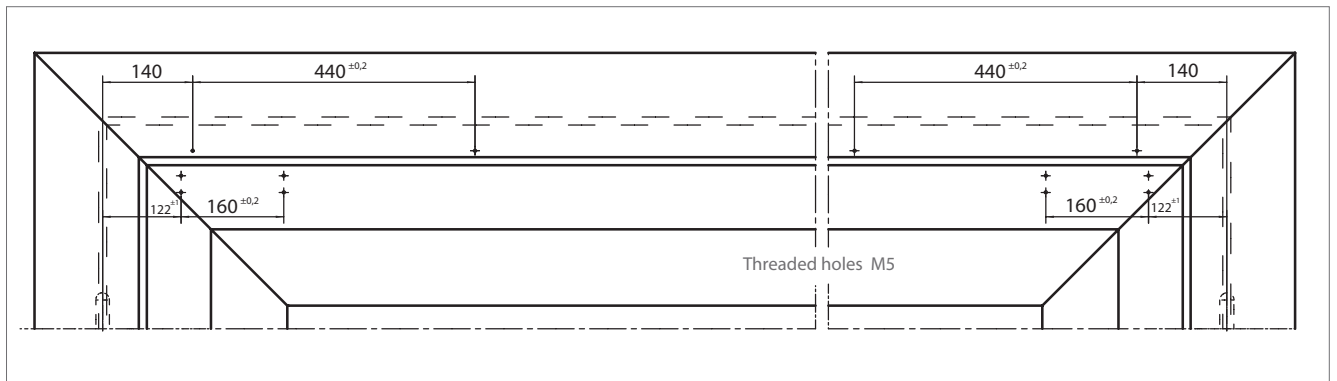


Fig. 63-3

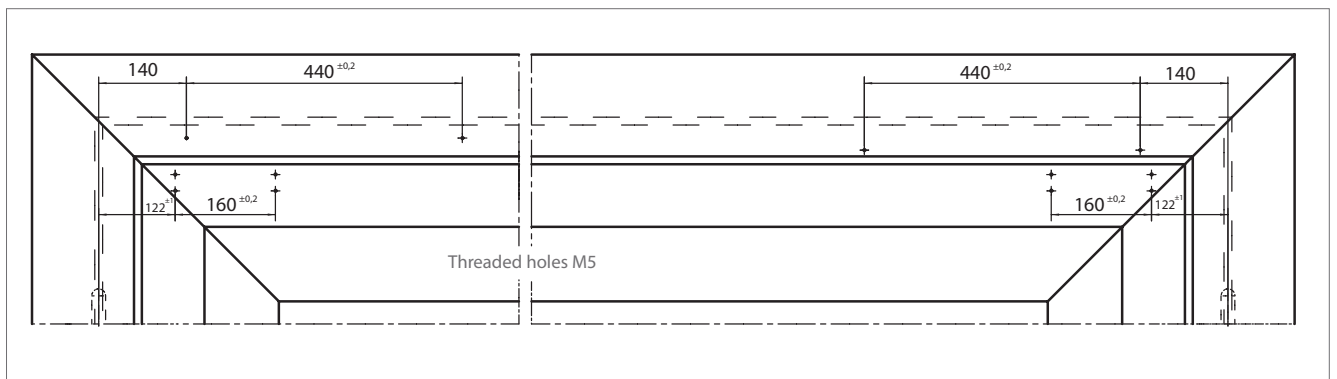


Fig. 63-4

GEZE TS 5000 L-ISM – Ordering information

Description	Finish	ID No.
GEZE TS 5000 L, size 2-6 Door closer without guide rail, without lever	silver	027351
	dark bronze	029399
	white RAL 9016	029400
	RAL colour	027352
ISM-guide rail BG with integrated mechanical closing sequence control for mounting on opposite hinge side	silver	115594
	white RAL 9016	115595
	stainless steel effect ²⁾	115596
	RAL colour	115597
Mechanical hold-open for ISM-guide rail ¹⁾		118437
Mounting material		
Mounting plate for doors without direct closer mounting	silver	049185
	dark bronze	052351
	white RAL 9016	068627
	galvanised steel	057956
	RAL colour	029176
Mounting plate for ISM-guide rail BG	silver	118704
	RAL colour	118705
Mounting bracket for ISM-guide rail BG	silver	118706
	RAL colour	118707
Accessories		
Cover caps (only suitable for mounting on door leaf)	silver	067724
	dark bronze	067725
	white RAL 9016	067726
	polished brass	072698
	stainless steel	072696
	RAL colour	000756

¹⁾ not for fire doors

²⁾ finish stainless steel effect for dry rooms only