



Reiterkaserne, Stuttgart

## GEZE TS 3000 V / System TS 5000

Overhead door closer with guide rail



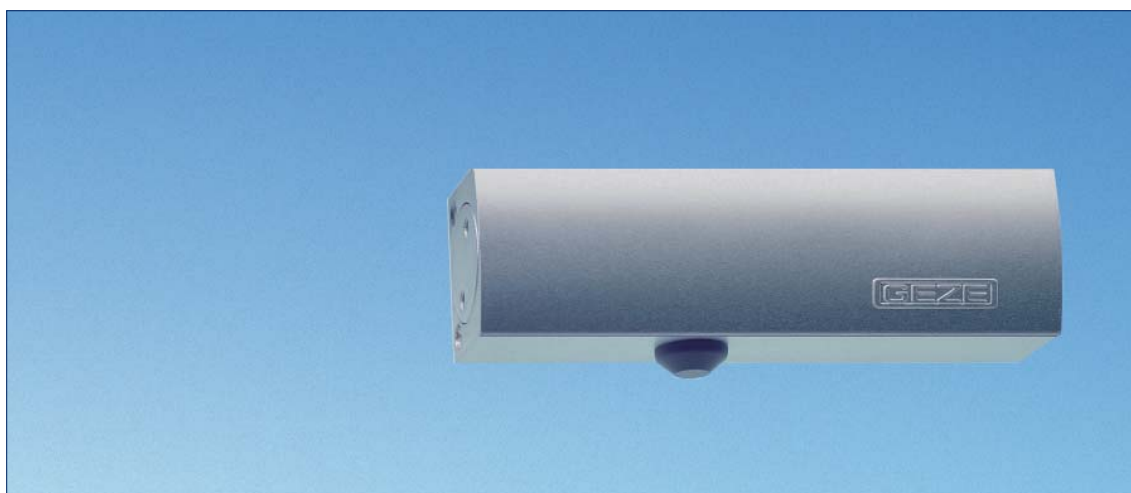
## GEZE door closer – Clear lines



GEZE TS 5000

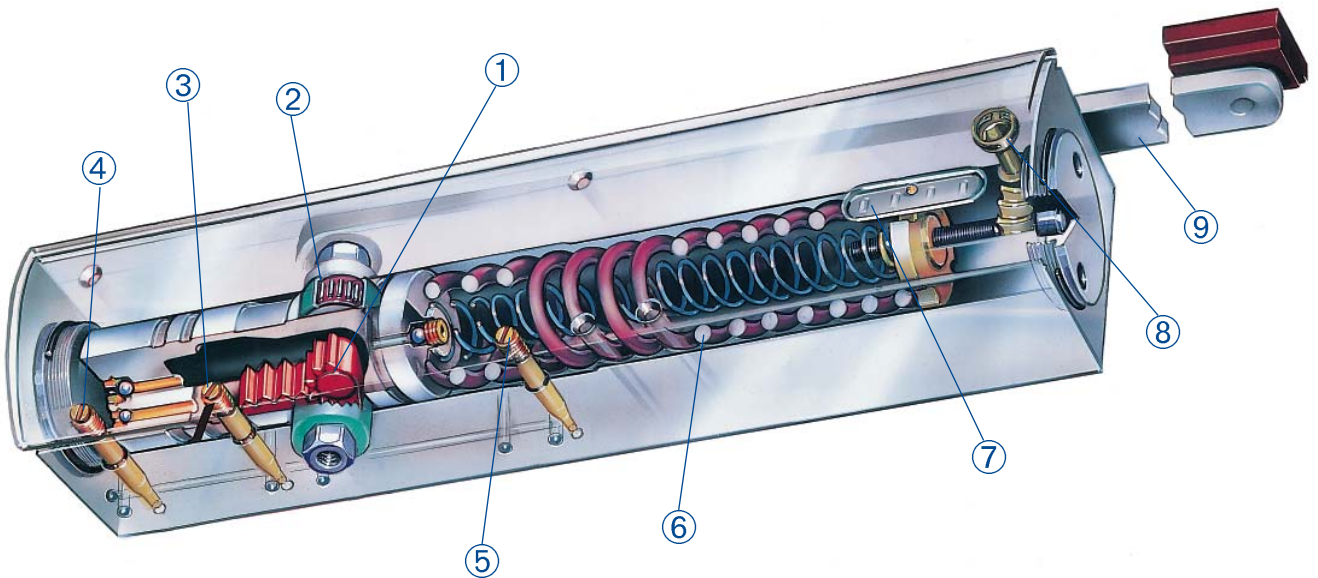


GEZE TS 3000 V



GEZE TS 1500

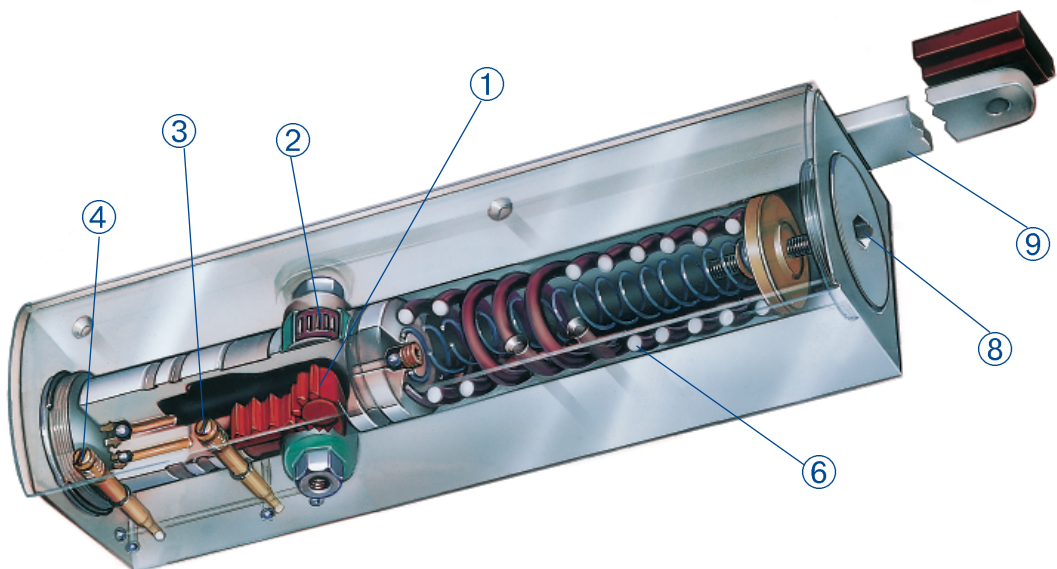
## Technology – GEZE Overhead door closer TS 5000



### Legend:

- ① Rack and pinion gear with integrated transmission
- ② Needle bearing
- ③ Closing speed adjuster
- ④ Latching action adjuster
- ⑤ Back check adjuster
- ⑥ Springs
- ⑦ Closing force indicator
- ⑧ Closing force adjuster
- ⑨ Lever

## Technology – GEZE Overhead door closer TS 3000 V



# Overview

	For single-leaf doors						
	TS 3000 V	TS 5000	TS 5000 S	TS 5000 L	TS 5000 E	TS 5000 R	TS 5000 L-E
Permitted for use with smoke and fire doors	<b>F</b>	<b>F</b>	<b>F</b>	<b>F</b>	<b>F</b>	<b>F</b>	<b>F</b>
Max. door leaf width (mm)	1100	1400	1400	1400	1400	1400	1400
Mounting options:							
Mounting hinge side / door mount	■	■	■		■	■	
Mounting hinge side / frame mount	■						
Mounting opposite hinge side / door mount	■			■			■
Mounting opposite hinge side / frame mount	■	■					
Functions:							
Adjustable closing force	■	■	■	■	■	■	■
Adjustable latching action	■ <sup>1)</sup>	■	■	■	■	■	■
Adjustable back check	■	■	■	■	■	■	■
Adjustable delayed closing action			■				
Adjustable closing speed	■	■	■	■	■	■	■
Mechanical hold-open <sup>2)</sup>							
Mechanical hold-open	■	■	■	■			
Electromechanical hold-open					■	■	■
Electro-hydraulic hold-open							
Smoke switch control unit						■	
Integrated mechanical closing sequence control							
Freeswing function							
Page	8	15	15	21	28	37	33

<sup>1)</sup> Model TS 3000 VBC

<sup>2)</sup> Expandable, not for the use with smoke and fire doors

<sup>3)</sup> Special version

<sup>4)</sup> System solution consisting of 2 pcs overhead door closer TS 5000 (L) respectively TS 3000 V and suitable ISM-, E-ISM respectively R-ISM guide rail for mounting on hinge and/or opposite hinge side (version BG)

			For double-leaf doors <sup>4)</sup>					
TS 5000 L-R	TS 5000 EFS	TS 5000 RFS	TS 5000 ISM	TS 5000 E-ISM	TS 5000 R-ISM	TS 5000 L-ISM	TS 5000 L-E-ISM	TS 5000 L-R-ISM
<b>F</b>	<b>F</b>	<b>F</b>	<b>F</b>	<b>F</b>	<b>F</b>	<b>F</b>	<b>F</b>	<b>F</b>
1400	1250	1250	1400	1400	1400	1400	1400	1400
	■	■	■	■	■			
	■ <sup>3)</sup>	■ <sup>3)</sup>						
■						■	■	■
■	■	■	■	■	■	■	■	■
■			■	■	■	■	■	■
■	■	■	■	■	■	■	■	■
■	■	■	■	■	■	■	■	■
			■			■		
■				■	■		■	■
■	■	■			■			■
			■	■	■	■	■	■
	■	■						
43	48	52	56	65	81	61	76	93

# GEZE TS 5000 ISM

## Overhead closer system for double-leaf doors, with integrated mechanical closing sequence control

With double-leaf doors the correct closing sequence of the two leaves is guaranteed by a closing sequence control.

**Principle of operation:**

The sequential closing function is provided by the moving leaf being held-open (it “waits”) until the fixed leaf is closed.

Due to the GEZE overhead closer system for double-leaf doors the mechanical closing sequence control is integrated into the ISM-guide rail. As a result, a conventional door selector is no longer necessary. The closing sequence control does not negatively effect the looks of the door.

**Product features**

- ▶ System GEZE TS 5000 ISM comprising:  
two overhead door closer TS 5000 with adjustable closing force size 2-6 EN 1154 (at narrow fixed leaves alternatively TS 3000 V) combined with ISM-guide rail with integrated mechanical closing sequence control certified according to EN 1158

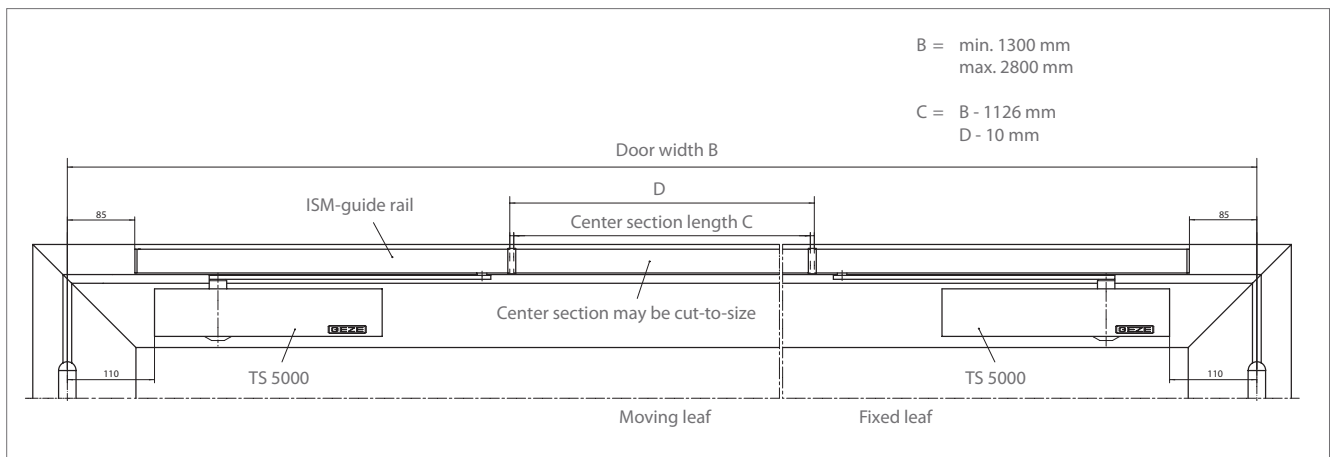


Fig. 56-1

**Specification text**

GEZE Overhead door closer system TS 5000 ISM to be mounted to smoke and fire doors, according to EN 1158, with integrated mechanical closing sequence control integrated into the ISM-guide rail, closing force size EN 2-6, closing speed, back check and latching action adjustable from front, with optical size indicator, standard mounting on hinge side / door mount, with mounting plate.

Colour:

- ( ) silver
- ( ) dark bronze
- ( ) white
- ( ) RAL ...

**Applications**

- ▶ For double-leaf doors, leaf width up to 1400 mm
- ▶ Smallest door width hinge clearance "b" = 1300 mm  
Largest door width hinge clearance "b" = 2800 mm
- ▶ Footage (for hinge side only) up to 3200 mm
- ▶ Also suitable for leafs of different widths, minimum width of fixed leaf = 400 mm (minimum width of fixed leaf with TS 3000 V = 340 mm)
- ▶ For smoke and fire doors (country-specific regulations are to be considered)
- ▶ Can be used for right and left hand doors without adjustment

**Standard version/package**

System GEZE TS 5000 ISM comprising:  
2 pcs. TS 5000 door closer complete with mounting material and fitting template (mounting plate not included)  
still needed: continuous ISM-guide rail with two levers and integrated mechanical closing sequence control



Reiterkaserne, Stuttgart

**Mounting on hinge side / door mount with ISM-guide rail**

**Direct mounting**

(in Germany not permitted for use with smoke and fire doors)

Example showing the mounting of system GEZETS 5000 ISM with on a steel door, see Fig. 56-1 and Fig. 58-1

**Mounting dimensions**

left hand door = moving leaf  
right hand door = fixed leaf,  
see Fig. 58-2

right hand door = moving leaf  
leaf hand door = fixed leaf,  
see Fig. 58-3

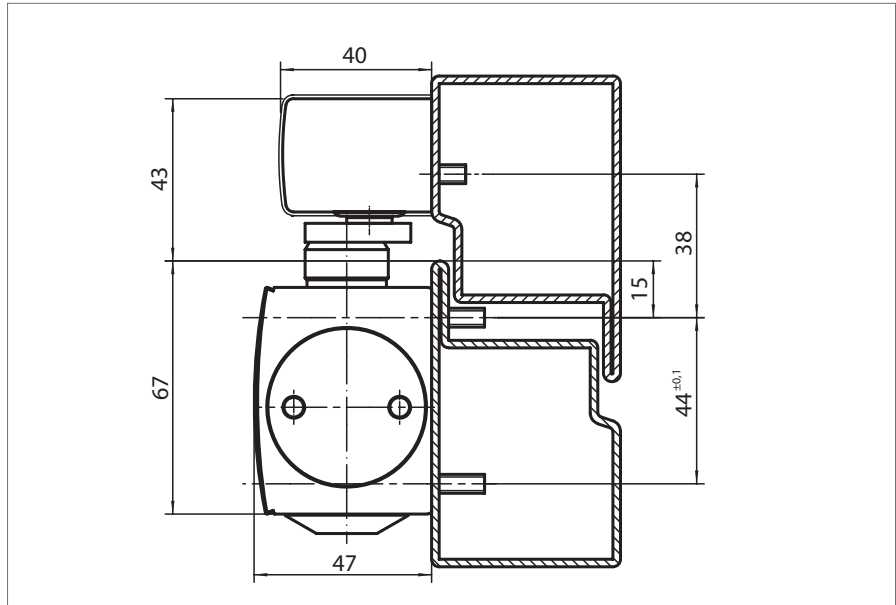


Fig. 58-1

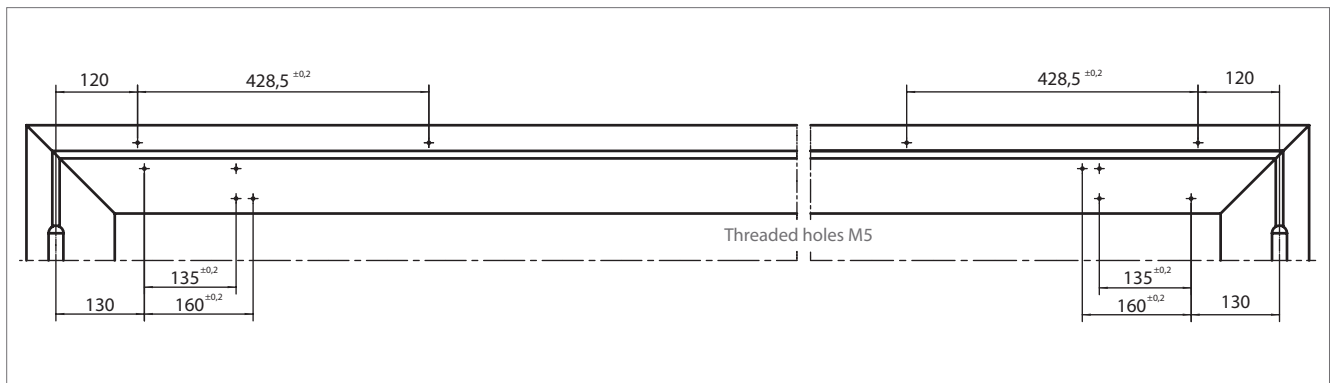


Fig. 58-2

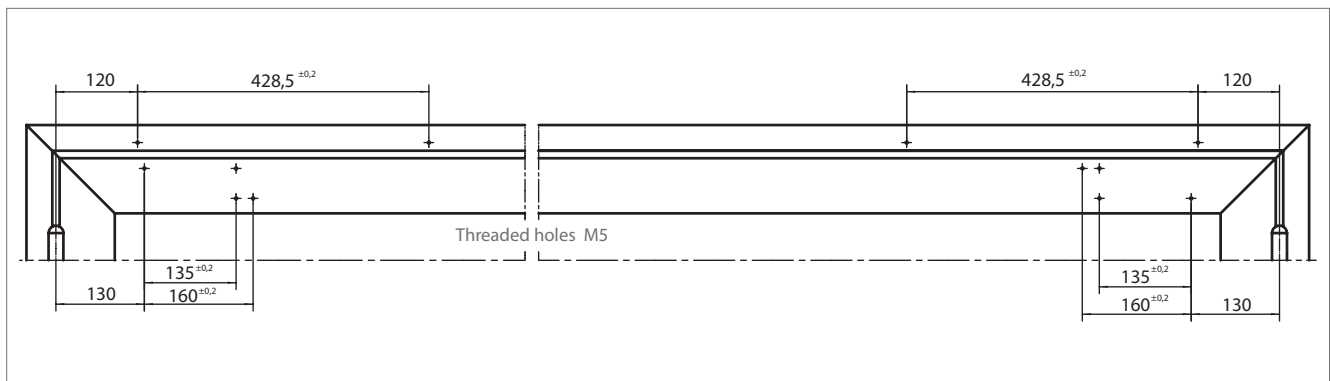


Fig. 58-3



Mounting on hinge side / door mount with ISM-guide rail

Mounting with mounting plate

Example showing the mounting of system GEZE TS 5000 ISM with mounting plate on a steel door, see Fig. 56-1 and Fig. 59-1

Mounting plate, 5 mm thick, for doors without direct closer mounting, see Fig. 59-2

Mounting dimensions

left hand door = moving leaf  
right hand door = fixed leaf,  
see Fig. 59-3

right hand door = moving leaf  
left hand door = fixed leaf,  
see Fig. 59-4

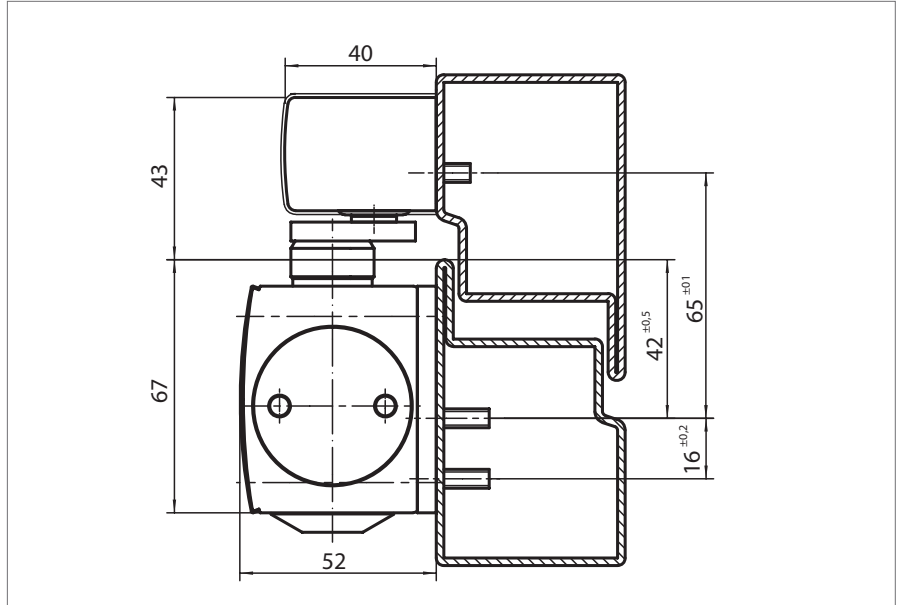


Fig. 59-1

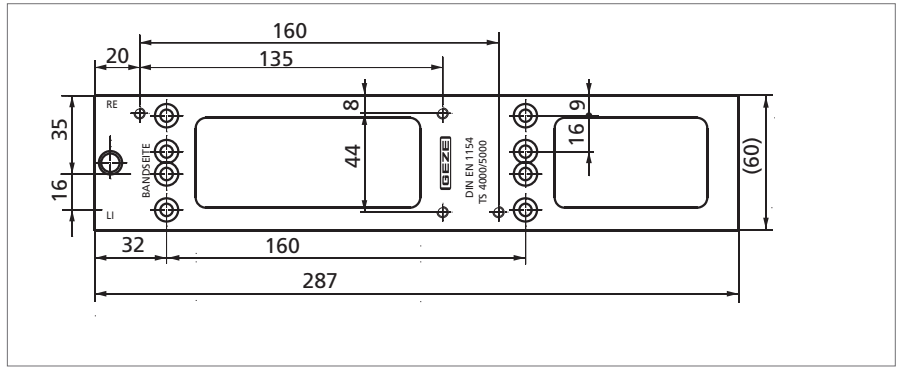


Fig. 59-2

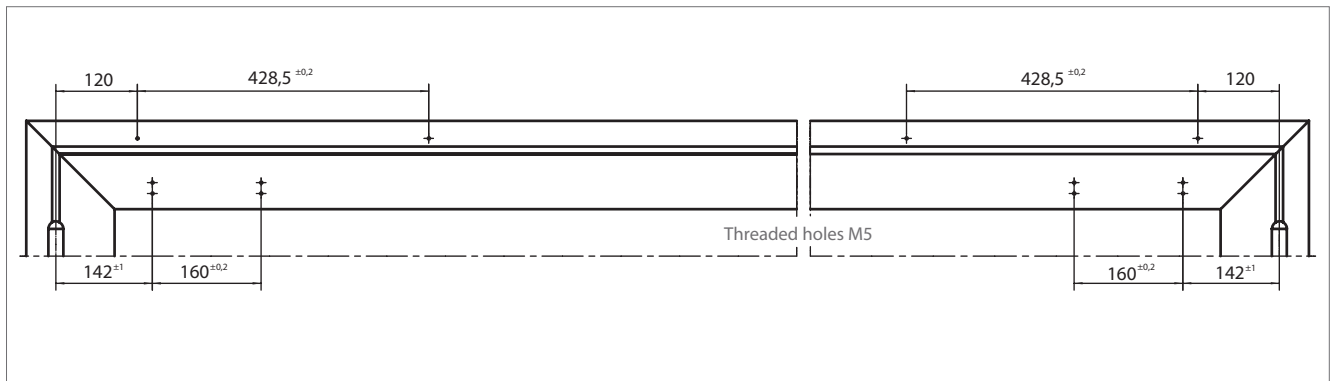


Fig. 59-3

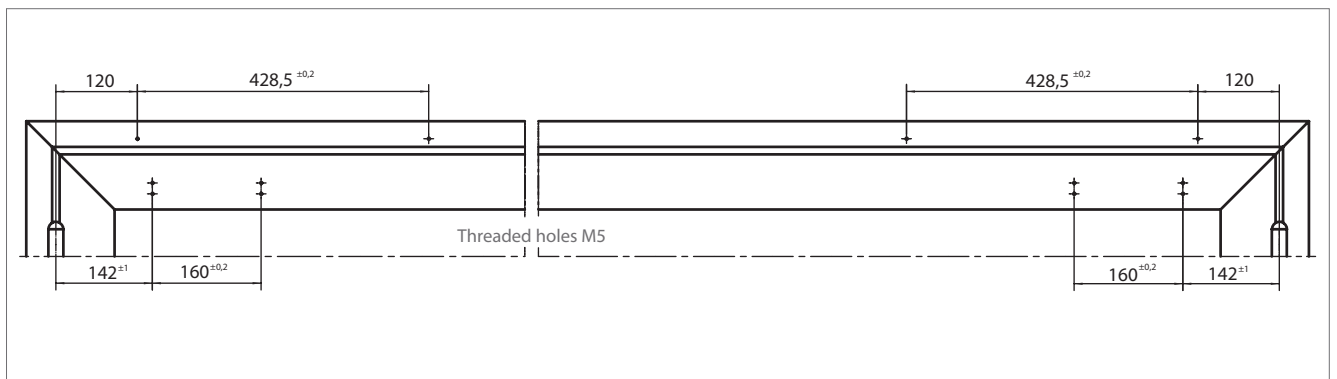


Fig. 59-4

GEZE TS 5000 ISM – Ordering information

Description	Finish	ID No.
GEZE TS 5000, size 2-6 Door closer without guide rail, without lever	silver	027333
	dark bronze	027334
	white RAL 9016	027335
	RAL colour	027336
ISM-guide rail with integrated mechanical closing sequence control for mounting on hinge side	silver	115549
	dark bronze	115550
	white RAL 9016	115591
	stainless steel effect <sup>2)</sup>	115592
	RAL colour	115593
ISM-guide rail, footage up to 3200 mm	silver	115598
	RAL colour	115599
Mechanical hold-open for ISM-guide rail <sup>1)</sup>		118437
Mounting material		
Mounting plate for doors without direct closer mounting	silver	049185
	dark bronze	052351
	white RAL 9016	068627
	galvanised steel	057956
	RAL colour	029176
Mounting plate for ISM-guide rail	silver	118702
	RAL colour	118703
Accessories		
Cover caps (only suitable for mounting on door leaf)	silver	067724
	dark bronze	067725
	white RAL 9016	067726
	polished brass	072698
	stainless steel	072696
	RAL colour	000756

<sup>1)</sup> not for use on fire doors

<sup>2)</sup> finish stainless steel effect for dry rooms only