

HIGH OUTPUT 55W TWINSPOT

www.ringtail.co.uk +44(0) 1772 336335 sales@ringtail.co.uk

Ringtail
Lighting

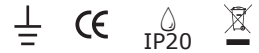


The TS55NM is an effective solution to providing emergency lighting in high and capacious areas that need a generous amount of illumination.

- Emergency luminaire provides 3 hour emergency duration.
- White finished steel enclosure.
- Twin 55 watt high efficiency flood beams utilising high output tungsten halogen lamps.
- Suitable for use on escape routes and other emergency needs.
- Emergency lighting checks are easily performed - Led indicators monitor the status of heads and battery configuration.
- Conforms to the requirements of EN60598-2-22.
- Suitable for incorporation into an emergency lighting system with British Standard BS5266-1:2011.

Specification

- High Light Output
- Adjustable Heads
- Tungsten Halogen
- 3 Hour Standby Operation
- LED lamp monitoring

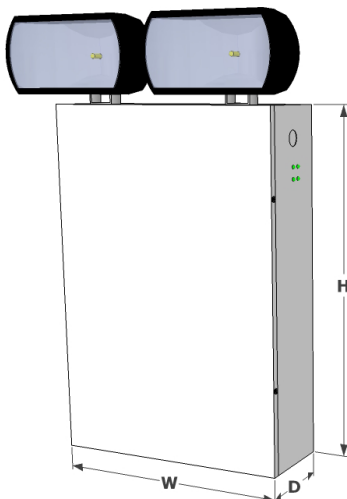


Options

Options

/RT	Remote Heads
/T	Delay on timer
/110	110V isolating transformer

Dimensions



Dimensions (mm)

H	455
W	310
D	110

Suitable Applications

- Suitable for providing emergency lighting in high and spacious areas
- Suitable for all escape routes including final exits and intersections.
- Suitable for incorporation into an emergency lighting system complying with BS5266-1:2011.

Technical Specification

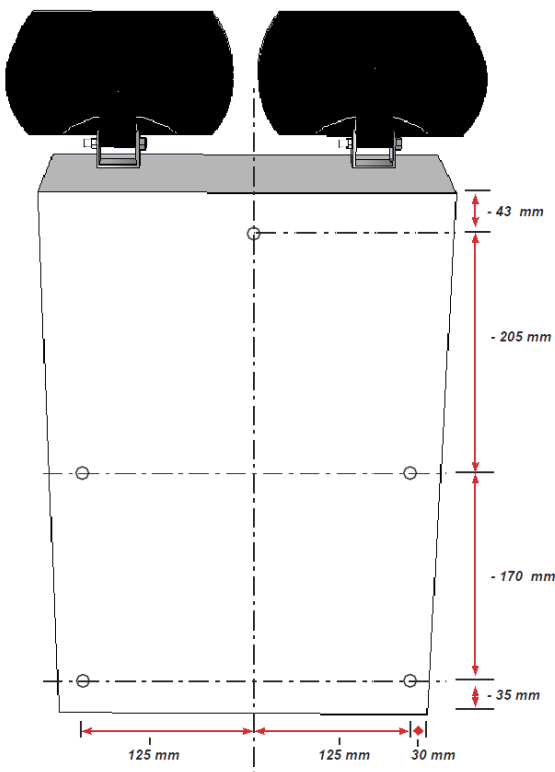
	Model	Lamp Type	Power Con	Battery	Duration	Weight	Output (lumens)
	TS55NM3	2 x 55W Tungsten Halogen	48W	12V 42Ah	3 Hours	19 Kg	2 x 900
	TSP55NM3	2 x 55W Polycarbonate Tungsten Halogen	48W	12V 42Ah	3 Hours	19 Kg	2 x 900

Installation Notes

- Knock out cable entries.
- Wall mounted - Wall mounting/fixing spacing shown below:

Materials / Finish

- White finished steel enclosure.



Catalogue Numbers

TS55NM3	Non Maintained	2 x 55W Tungsten Halogen
TSP55NM3	Non Maintained	2 x 55W Polycarbonate Tungsten Halogen