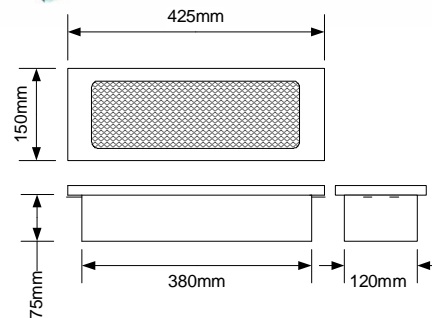
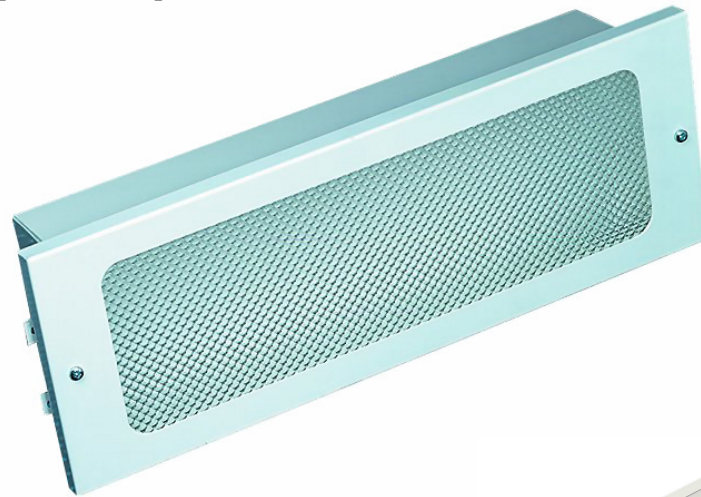


The FM Light is designed to be recess mounted in walls and ceilings. The supplied recessing kit allows easy fitting to the ceiling tiles. The FM Light allows Emergency Lighting to maintain a low profile while providing the essential protection required by legislation. Comprising of a stove enamelled sheet steel base fitted with a clear prismatic diffuser retained by a white bezel, suitable for use on escape routes (850 degrees C Hot-wire test, defined by ICEL). The diffuser is attached by captive screws and provides a seal to IP20. The gear tray is hinged for ease of installation and is easily removable to allow first fix of the base. Complying with the requirements of EN60598-2-22 and suitable for incorporation into an emergency lighting system complying with BS5266-1:2005. The FM Light is available in white or special finishes, such as brass and chrome. Opal diffuser option available to order.

- P20 (Interior Use)
- Flush Mounting
- Wall or Ceiling Mounting
- Prismatic Diffuser
- Hinged Gear Tray
- Legend Options
- Colour Options Available
- Self-Contained
- Centrally Supplied



FM with OPAL diffuser

| | Mode | Lamp Type | Power Con | Battery | Duration | Weight | Emerg Output | Dimensions |
|----------|----------------------|----------------|-----------|-------------|----------|------------|--------------|--|
| FM8NM | Non Maintained | 8W T5 | 8 VA | 2.4V 4Ah | 3 Hours | 1.6 Kg | 100 Lumens | 425 x 150 x 75(Cut Out 380mm x 120mm) |
| FM8M | Maintained | 8W T5 | 20 VA | 2.4V 4Ah | 3 Hours | 1.95 Kg | 100 Lumens | |
| FM8S | Sustained (Combined) | 8W T5 (two of) | 20 VA | 2.4V 4Ah | 3 Hours | 1.95 Kg | 100 Lumens | |
| FM8/SL/* | Mains or Slave | 8W T5 | 7 - 20 VA | | | 2 - 2.5 Kg | 270 Lumens | |

* Please suffix voltage required i.e. 24, 50, 110, 230

Suffix part number with

| | | |
|-----|---|---------------|
| /OP | - | Opal diffuser |
| /BR | - | Brass finish |
| /CR | - | Chrome finish |
| /ST | - | Self Test |

| Mounting Height (M) | Diagram 1 | Diagram 2 | Diagram 3 | Diagram 4 | Diagram 5 | Notes |
|---------------------|-----------|-----------|-----------|-----------|-----------|---|
| 2.5 | | | | | | OPEN AREAS 0.5 LUX MIN (ANTI-PANIC) ESCAPE ROUTE 1.0 LUX MIN (NORMAL RISK) |
| 4 | 3.11 | 8.13 | 8.06 | 3.1 | | |
| 2.5 | 2.2 | 5.1 | 5.52 | 2.17 | | |
| 4 | 1.58 | 5.73 | 5.76 | 1.59 | | |