

## Automatic Fire Extinguishers

Two Designs are available:

1)

### **Industrial Models:**

The Ceiling Mounted ABC (or AFFF) Automatic Sprinkler Head Type Extinguisher 6 or 10 kilo capacity. Complete with a substantial & easy to fix, Bracket & Bolt.

A Range of "Bulb Temperature " is available dependant on the Application; (57oc to 260oC). The Standard Temperature " Bulb" provided operates at 68oC. (Also Available to special order: 57, 79, 93,141,182, 227 & 260 oC)

Pii produce two basic sizes in their Industrial Range; The Smaller size is of 6-kilo capacity (Model PS6/Auto), and the larger Model PS10/Auto of 10-kilo. An easy to read "Sight Gauge" is fitted for regular inspection purposes from ground level.



2)

The Smaller Automatic Extinguisher, filled with ABC Powder (shown in the Outline Drawing) has a capacity of either 1 or 2 kilo, and operates in the inverted position with the Sprinkler Head pointing downwards as shown Standard 68oC with others available from 57oC to 260 oC. Both 1 & 2 kilo Models are fitted with a similar "sprinkler" head to the industrial models. Either models PS1/Auto & PS2/Auto are intended for protection of " Engine Compartments" & similar enclosed small spaces.

They should be Wall Mounted using the substantial fixing bracket provided, either OVER (recommended) or to the SIDE of the "Risk Area" whichever is most convenient.

## **CE 0062**

Fire Extinguisher Designed and Manufactured in accordance with  
**Pressure Equipment Directive 97/23/ CE - PED**

### **USER INSTRUCTION**

**Mounting of Extinguisher:** Hang this Automatic Extinguisher using the bracket provided centrally over the area to be protected. The nozzle must point vertically downwards away from the "ceiling".

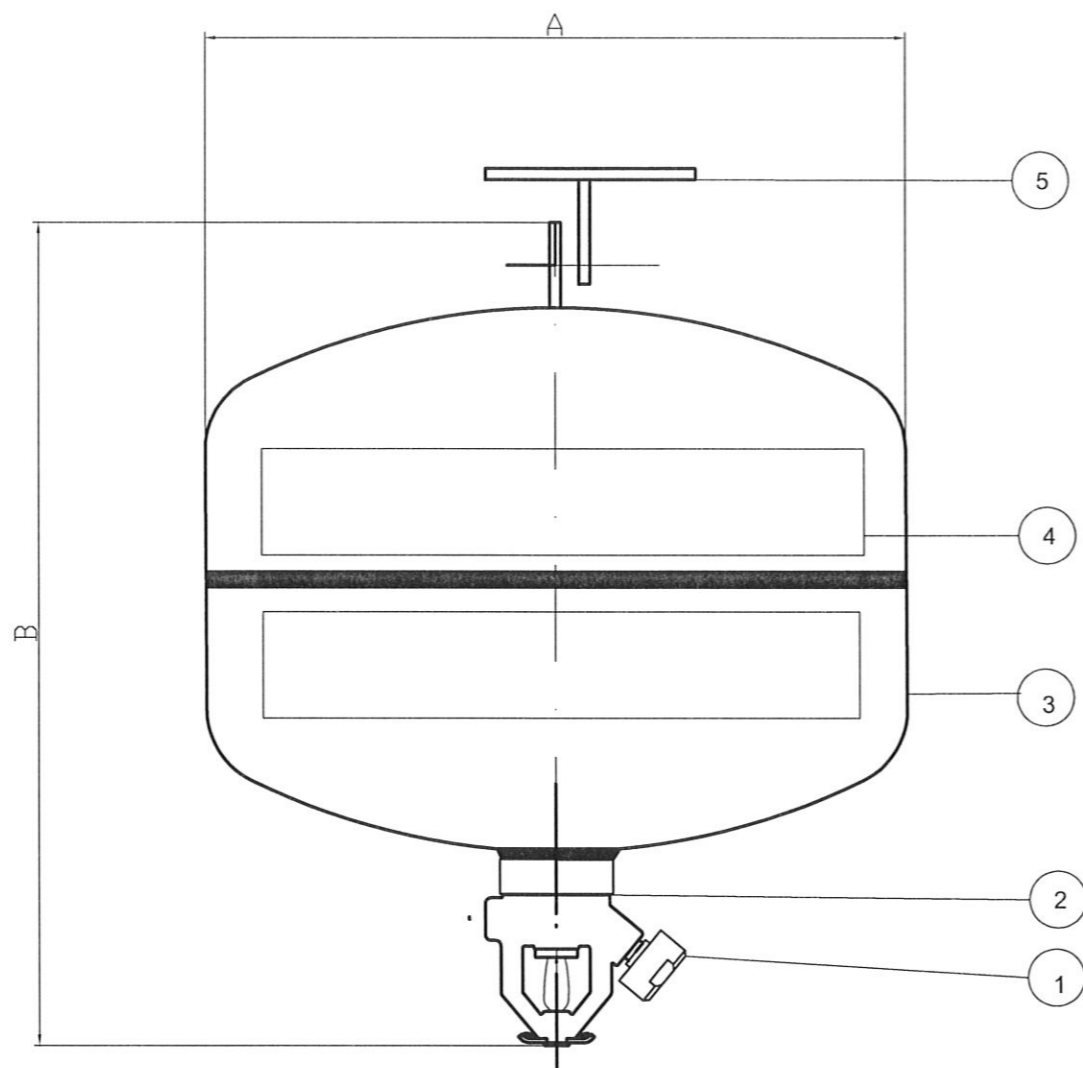
**Visual Inspection:** The user should regularly check the Pressure Gauge but at least every 6-month to ensure it points into the GREEN AREA. Also check for any obvious signs of damage or corrosion of cylinder and valve.

**Inspection and Maintenance:** This Automatic Fire Extinguisher should be Inspected & Serviced at least once a year by a QUALIFIED PERSON in accordance with Local Regulation.

**Operating Instruction:** This is an Automatic Extinguishing Device. The Automatic discharge bulb is set to operate at a temperature of 79° C.

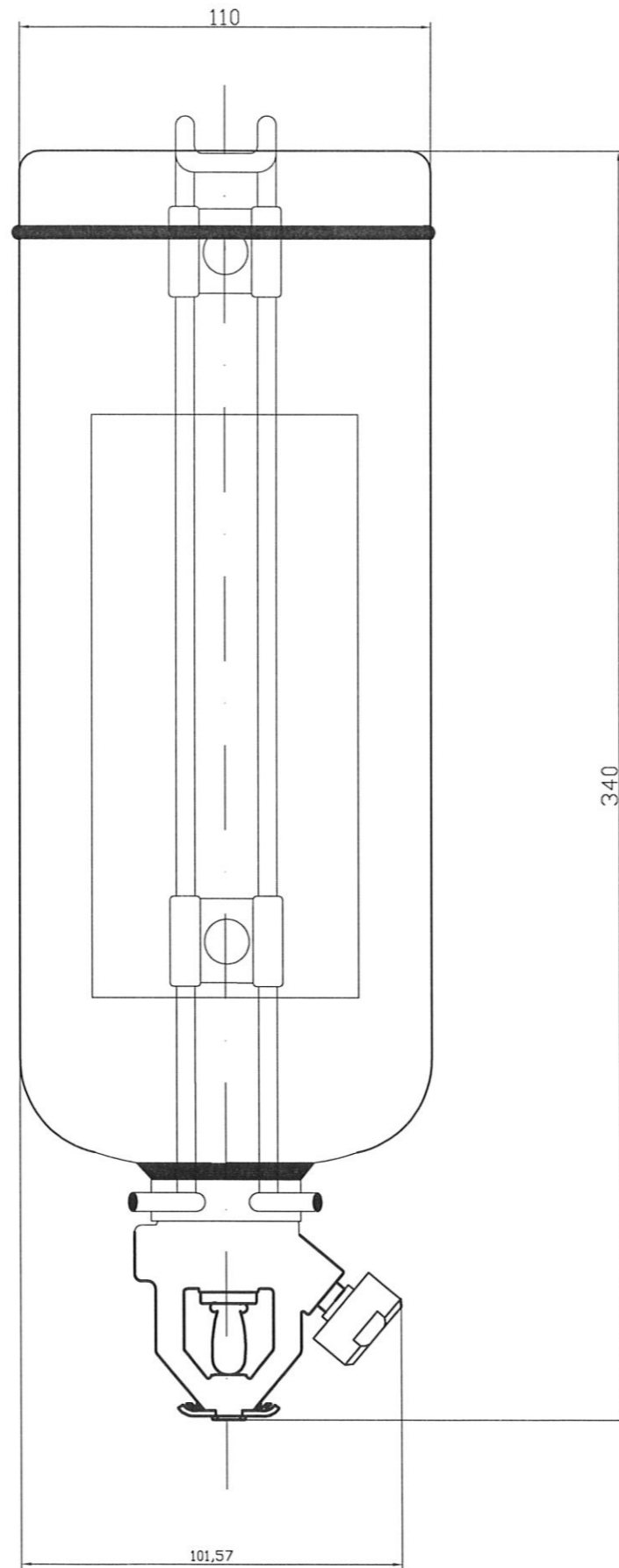
**Refilling Instructions:** Ensure ALL residual pressure is released. Remove any remaining powder & refill with the correct weight of new Powder. Fit a new Valve Assembly with the correct temperature "Bulb" in place. (The Glass is Colour Coded for easy recognition). Re-pressurise through the Side Entry Point provided on the Valve Head. Re-fit to the ceiling bracket.

**Recycling:** This extinguishing device is suitable for Recycling in accordance with local regulations concerning waste management. Before disposal or disassembly the extinguishing device **MUST BE DEPRESSURISED.**



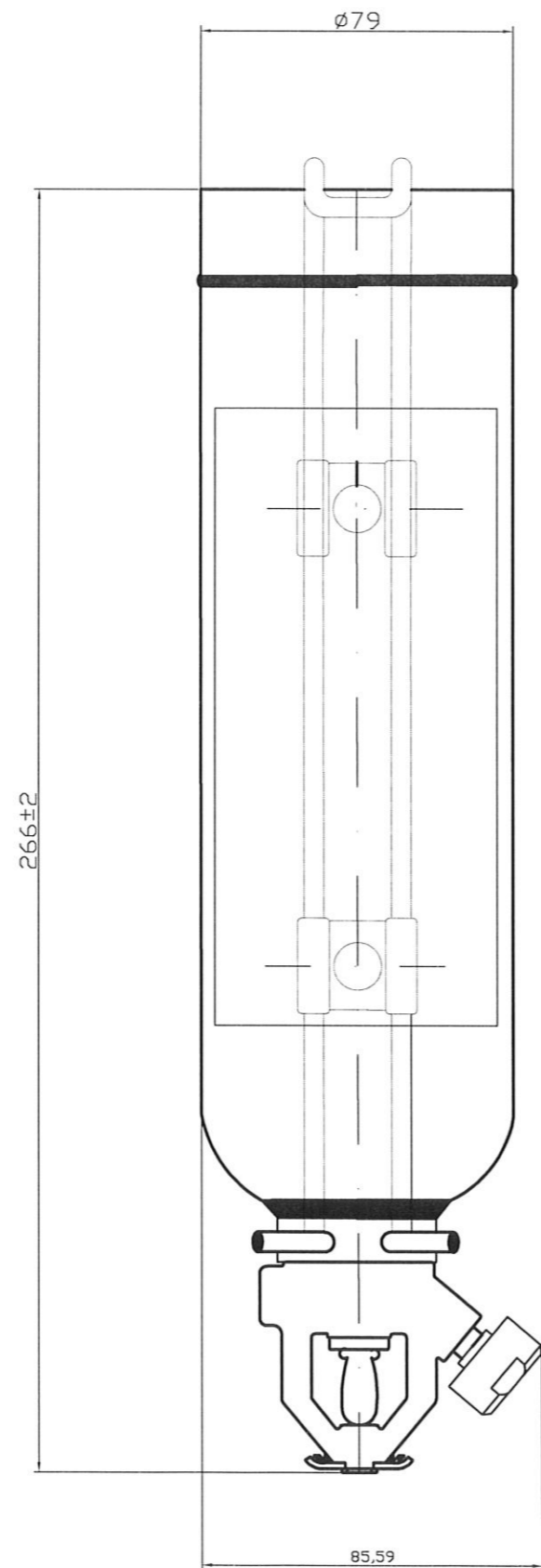
Bulbo in vetro/Glass bulb	
Temperatura	Colore
Standard	
68° C	Rosso/Red
A richiesta/Optional	
57° C	Arancio /Orange
79° C	Giallo/Yellow
93° C	Verde/Green
141° C	Blu/Blue
182° C	Malva/Mauve
227° C	Nero/Black
260° C	Nero/Black

DENOMINAZIONE/DENOMINATION								
Estintore a polvere automatico Kg 6 -10								
Automatic Fire extinguisher powder Kg 6-10								
Vista assieme								
General view								
Material								
THIS DRAWING IS THE PROPERTY OF PII S.R.L. AND MAY NOT BE REPRODUCED TOTALLY OR PARTIALLY BY ANY MEANS OR GIVEN TO A THIRD PARTY WITHOUT WRITTEN CONSENT OF THE OWNER.								
Powder	Code	A	B	Weight	Fix max	Disegnato	A.Antarelli	
						Controllato	A.Antarelli	
Kg 6	AUT06001	235	217	Kg 9	Mt 2,7	Approvato	A.Antarelli	
Kg 10	AUT10001	235	320	Kg 14	Mt 2,7	Date	27.4.01	
							Scale	No scala
Working pressure 10 Bar							Draw.	
Protected area 20 M2								



68° C	Rosso/Red
A richiesta/Optional	
57° C	Arancio /Orange
79° C	Giallo/Yellow
93° C	Verde/Green
141° C	Blu/Blue
182° C	Malva/Mauve
227° C	Nero/Black
260° C	Nero/Black

		DENOMINAZIONE/DENOMINATION			
		Estintore automatico a polvere da Kg 2 mod. AUT02001			
		Fire extinguisher powder Kg 2 mod. AUT02001			
		Vista assieme			
		General view			
		According to:			
		PED 97/23/CE			
THIS DRAWING IS THE PROPERTY OF PII S.R.L. AND MAY NOT BE REPRODUCED TOTALLY OR PARTIALLY BY ANY MEANS OR GIVEN TO A THIRD PARTY WITHOUT WRITTEN CONSENT OF THE OWNER.		Rev.	Data	Disegnato	A.Antarelli
		0	26.4.01	Emissione	Controllato A.Antarelli
					Approvato A.Antarelli
					Date 26.4.01
					Scale no scala
				Disegno	AUT02001



Bulbo in vetro/Glass bulb	
Temperatura	Colore
68° C	Rosso/Red
A richiesta/Optional	
57° C	Arancio /Orange
79° C	Giallo/Yellow
93° C	Verde/Green
141° C	Blu/Blue
182° C	Malva/Mauve
227° C	Nero/Black
260° C	Nero/Black

		DENOMINAZIONE/DENOMINATION			
		Estintore automatico a polvere da Kg 1 mod. AUT01001			
		Fire extinguisher powder Kg 1 mod. AUT01001			
		Vista assieme			
		General view			
		According to:			
		PED 97/23/CE			
THIS DRAWING IS THE PROPERTY OF PII S.R.L. AND MAY NOT BE REPRODUCED TOTALLY OR PARTIALLY BY ANY MEANS OR GIVEN TO A THIRD PARTY WITHOUT WRITTEN CONSENT OF THE OWNER.		Rev	Data	Disegnato	A.Antarelli
		0	26.4.01	Emissione	Controllato A.Antarelli
				Approvato	A.Antarelli
				Date	26.4.01
				Scale	no scala
				Disegno	AUT01001