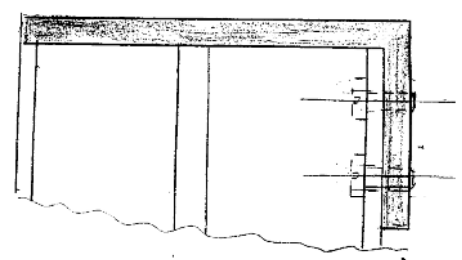
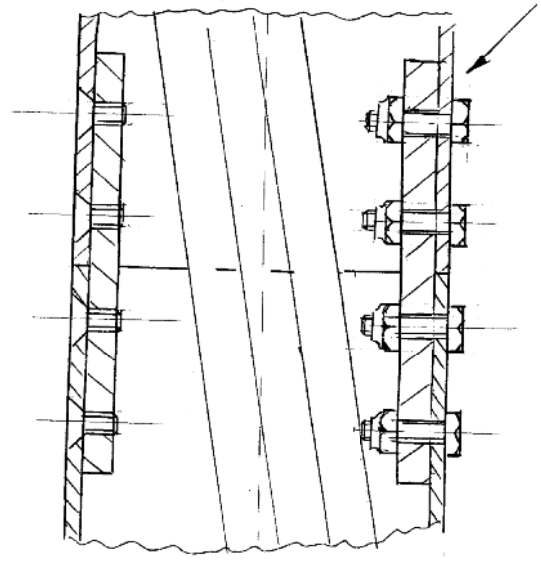


**SECTION THRO CLOSED LADDER AT MOUNTING PLATE**

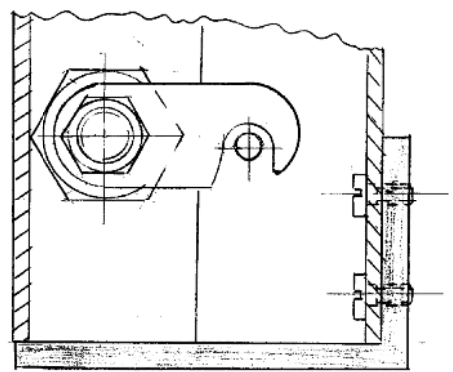


**VIEW SHOWING UPPER CLOSURE. (STANDARD)**

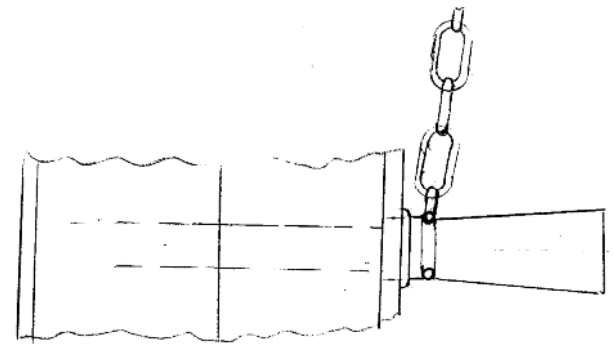
**Ø8,0 FIXING BOLTS**



**COMPOSITE VIEW SHOWING JOINING OF UNITS**



**VIEW SHOWING BOTTOM LOCKING SYSTEM & LOWER CLOSURE (OPTIONAL EXTRAS).**



**UPPER LOCKING PIN POSITIONED TO SUIT**

 
<b>3<sup>RD</sup> ANGLE PROJECTION</b>
Sht 2 of 2
<b>MODUM LADDER</b>
 your safety provider