

Securefast SED993 **Push Pad Emergency Latch**

Certified to EN179:1997 + 2000:A1

Fire Rated for Timber and Steel Doors

Suitable for Single Doors and the Active Leaf (1st Opening) of Rebated Double Doors

Supplied Left or Right Hand, but can be reversed on site

Supplied with a cast keep for Single and Rebated Double Door applications – The keep can be surface mounted or morticed into the frame for a single door application.

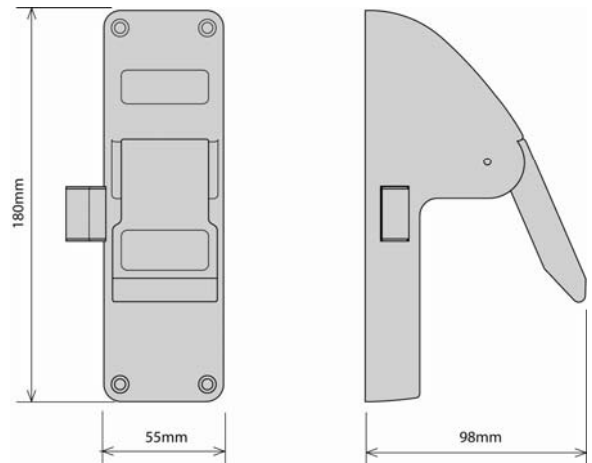
Available with Manual Hold Back (not to be used on Fire Doors unless the door has been fire tested with unlatched hardware)

Can be used with a Rim Cylinder, Digital Code Lock or Outside Access Device fitted on the outside of the door.

Suitable for door 1300mm wide and 2500mm high

Individual Weight 1.4kg

SED993/SE/RH
Right Hand illustrated



Securefast SED994 **Push Pad Emergency Bolt**

Certified to EN179:1997 + 2000:A1

Fire Rated for Timber and Steel Doors

Suitable for Single Doors and the Inactive Leaf (2nd Opening) of Rebated Double Doors

Universal for Left and Right Hand Doors - Handing can be changed to suit an Outside Access Device.

Adjustable Top and Bottom Shoot bolts, offering + or – 5mm of adjustment

Available with Manual Hold Back (not to be used on Fire Doors unless the door has been fire tested with unlatched hardware)

Anti-thrust device to prevent the shoot bolt from being retracted.

Supplied with an easy clean socket

Suitable for door 1300mm wide and 2500mm high

Individual Weight 3.8kg

SED994/SE
Right Hand illustrated

