



CERTIFICATE OF APPROVAL

No CF 242

This is to certify that, in accordance with
CERTIFIRE's Rules for Certification
The undermentioned products of

GEZE LIMITED

Blenheim Way, Fradley Park, Lichfield, WS13 8SY
Tel: 01543 443000 Fax: 01543 443021

Have been assessed against the requirements of the Technical Schedule(s)
denoted below and are approved for use subject to the conditions
appended hereto:

CERTIFIED PRODUCTS

Geze 'Boxer 2-4', 'Boxer 3-6'
and 'Boxer EFS'
Concealed Overhead Door
Closers

TECHNICAL SCHEDULE

TS34 The Contribution of
Controlled Door Closing
Devices and Accessories
to Fire Resisting Doorsets

Signed and sealed for and on behalf of CERTIFIRE

Sir Ken Knight
Chairman - Management Council

Issued: 9th October 2002
Reissued: 17th August 2006
Revised: 12th October 2007
Valid to: 19th August 2012

Page 1 of 5



Only valid when authentic
Seal is in place
CERTIFIRE



CERTIFICATE No CF 242

GEZE UK

GEZE 'BOXER 2-4', 'BOXER 3-6' AND 'Boxer EFS' CONCEALED OVERHEAD DOOR CLOSERS

1. This approval relates to Geze 'Boxer 2-4', 'Boxer 3-6' and 'Boxer EFS' are concealed overhead mounted door closing devices, with adjustable power. The closers include an external power adjustment and a slide arm channel of maximum length 457mm.
2. This certification is designed to demonstrate compliance of the product or system specifically with Approved Document B (England and Wales), Section D of the Technical Standards (Scotland) and Technical Booklet E (N. Ireland). If compliance is required to other regulatory or guidance documents there may be additional considerations or conflict to be taken into account.
3. This approval relates to their use with the following door assemblies:-

Single and double acting, latched or unlatched, intumescent sealed door assemblies consisting of timber faced and edged leaves with timber, cellulosic or mineral cores in timber frames having a fire resistance up to 30 minutes (Code ITT).

Single and double acting, latched or unlatched, intumescent sealed door assemblies consisting of timber faced and edged leaves with timber, cellulosic or mineral cores and having calcium silicate subfacings (for EI doors only) into hardwood timber frames and having a fire resistance up to 60 minutes (Code ITT).

Single and double acting, latched or unlatched, door assemblies consisting of metallic faced and edged leaves with mineral fibre or paper honeycomb cores in metal frames having a fire resistance up to 240 minutes (Code MM and IMM).

Note: only Boxer 2-4 closer is approved in double-acting configuration.

4. The closers are approved on the basis of:
 - i) Initial type testing to EN1154, BS EN 1634-1: 2000 and BS 476: Part 22
 - ii) An appraisal against TS34
 - iii) Certification of quality management system to ISO 9001: 2000.
 - iv) Inspection and surveillance of factory production control
 - v) Ongoing audit testing in accordance with EN 1154 requirements
5. This approval is applicable only to the specified closers used with door assemblies of proven fire resistance (as defined in BS 476: Part 22 and EN 1634-1 for metallic doorsets) and having power ratings appropriate to the leaf sizes subject to a **minimum size 3** (as specified in BS EN 1154) and including the supplied intumescent protection kit. Failure to supply and install the intumescent protection kit, in the appropriate manner, will invalidate this certificate of approval.

A handwritten signature in black ink, appearing to be 'J. Smith'.



**CERTIFICATE No CF 242
GEZE UK**

GEZE 'BOXER 2-4', 'BOXER 3-6' AND 'Boxer EFS' CONCEALED OVERHEAD DOOR CLOSERS

- 6. The approval relates to on going production. Product and/or its immediate packaging is identified with the manufacturers' name, the product name or number, the CERTIFIRE name or name and mark, together with the CERTIFIRE certificate number and application where appropriate
- 7. The following tables show acceptable doorset types and fire resistance periods:

Approved Door Type							
Class	IMM	MM	TT	ITT	ITM	ITC	TM
FD20	✓	✓	x	✓	x	✓	x
FD30	✓	✓	x	✓	x	✓	x
FD60	✓	✓	x	✓	x	✓	x
FD120	✓	✓	x	x	x	x	x
FD240	✓	✓	x	x	x	x	x
E 20	✓	✓	x	x	x	x	x
EI 20	x	x	x	x	x	x	x
E 30	✓	✓	x	x	x	x	x
EI 30	x	x	x	x	x	x	x
E 60	✓	✓	x	x	x	x	x
EI 60	x	x	x	✓	x	x	x
E 90	✓	✓	x	x	x	x	x
EI 90	x	x	x	x	x	x	x
E 120	✓	✓	x	x	x	x	x
EI 120	x	x	x	x	x	x	x
E 240	✓	✓	x	x	x	x	x
EI 240	x	x	x	x	x	x	x

See CERTIFIRE Technical Schedules for designation of doorset types i.e. ITT etc.

CERTIFICATE No CF 242
GEZE UK

GEZE 'BOXER 2-4', 'BOXER 3-6' AND 'Boxer EFS' CONCEALED OVERHEAD DOOR CLOSERS

Scope of Approval:

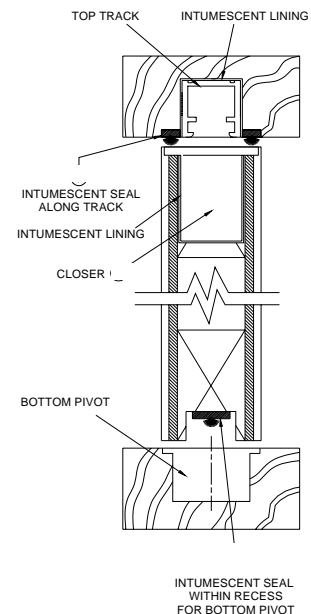
- For timber based doorsets, the concealed closers shall be bedded upon 1mm-thick Interdens to all sides which shall be provided by the manufacturer and referenced within the manufacturers product data sheet.

FD20 and FD30 timber based doorsets

Boxer 2-4 closers are approved for FD20 & FD30 single and double acting doorsets of the following specification:
Leaf of 45mm thick minimum mounted into a door frame of softwood timber, minimum density 500kg/m³ and with a minimum section size 94mm deep by 43mm high.

FD60 timber based doorsets

Boxer 2-4 closers are approved for FD60 or EI60 single and double acting doorsets and Boxer 3-6 and Boxer EFS closers are approved for FD60 or EI60 single acting doorsets of the following specification:
Leaf of 54mm thick minimum mounted into a door frame of hardwood timber, minimum density 650 kg/m³ nominal and with a minimum section size 94mm deep by 44mm high. **For EI doors only, the leaf is to include 4.5 mm thick Masterclad of nominal density 1500 kg/m³, bonded to stiles, rails and core using a resorcinol type adhesive.**
The adjacent figure shows the details for doorsets intended to satisfy 60 minutes integrity.

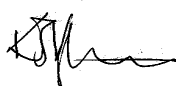


60 minute steel based doorsets

Boxer 2-4 closers are approved for single and double acting doorsets of up to 240 minutes integrity. Boxer 3-6 and Boxer EFS closers are approved for single acting doorsets of up to 240 minutes integrity.

Boxer Smoke Seals

Smoke leakage test evidence is available to BS 476: Part 31: Section 31.1: 1987 on a 'Boxer Smoke Seal' and is reported under the reference WF Report No. 164177. Please contact Geze UK for further information. It should be noted that the Boxer Smoke Seals are approved on specific fire doors only and this should be checked prior to use.





**CERTIFICATE No CF 242
GEZE UK**

GEZE 'BOXER 2-4', 'BOXER 3-6' AND 'Boxer EFS' CONCEALED OVERHEAD DOOR CLOSERS

Classification codes

The above approval provides the following classifications:

Boxer 2-4 – weight 130 kg Applications)	3	8	4 3	1	1	4	Maximum leaf (Single-acting
---	----------	----------	----------------	----------	----------	----------	--------------------------------

Boxer 3-6 – weight 180 kg Applications)	3	8	6 3	1	1	4	Maximum leaf (Single-acting
---	----------	----------	----------------	----------	----------	----------	--------------------------------

Boxer 2-4 – Maximum leaf weight 130 kg (Double-acting Applications)

3	8	3	1	1	1
----------	----------	----------	----------	----------	----------

Boxer EFS – Maximum leaf weight 180 kg (Single-acting Applications)

3	8	4	1	1	3
----------	----------	----------	----------	----------	----------

Further Information

Further information regarding the details contained in this data sheet may be obtained from GEZE UK (Tel: 01543 443000).

Further information regarding the CERTIFIRE certification and other approved products can be obtained from CERTIFIRE (Tel: 01925 646777).